

# LED Wash-Accent Lighting

## DPI1245-X - LED Wash and Accent Lighting



- » May be used with existing fixtures
- » Dimming (continuous or step) down to 0% without color temperature shifting (yellowing)
- » Input voltage range 17V to 34VDC with consistent operating characteristics
- » Retrofit designed - Form, Fit, Function
- » 50,000+ life expectancy
- » Color temperature options: 2,700K to 6,000K
- » No UV or IR
- » Simple wiring connection

**LED Wash and Accent lighting solutions designed to be used with existing fixtures for an efficient update to modernize the aircraft cabin.**

Elegantly updating Wash and Accent Lighting to LED in the aircraft cabin is easy with the DPI series of LEDs.

The DPI LED fixtures may be installed into the existing fluorescent fixtures using the same wiring and connectors, eliminating the need for timely modifications.

What makes our solution stand out is the ability to change color temperatures and provide PWM dimming with our High CRI LEDs. Rigid LED linear lighting strips provide the industry's highest lumen performance and color rendition, paired with very low energy consumption and exceptional maintenance savings.

The DPI 1245 Series readily fits into coves, toe-kick, entryways, backlighting of signage, decorative tiles or panels etc.



CMS



LED Cabin Lighting



PCUs and Touch Screens



CMS Control Modules



Cables &amp; Harnesses



Air Gaspers



HD Cabin Displays



AV Sources HD Distribution

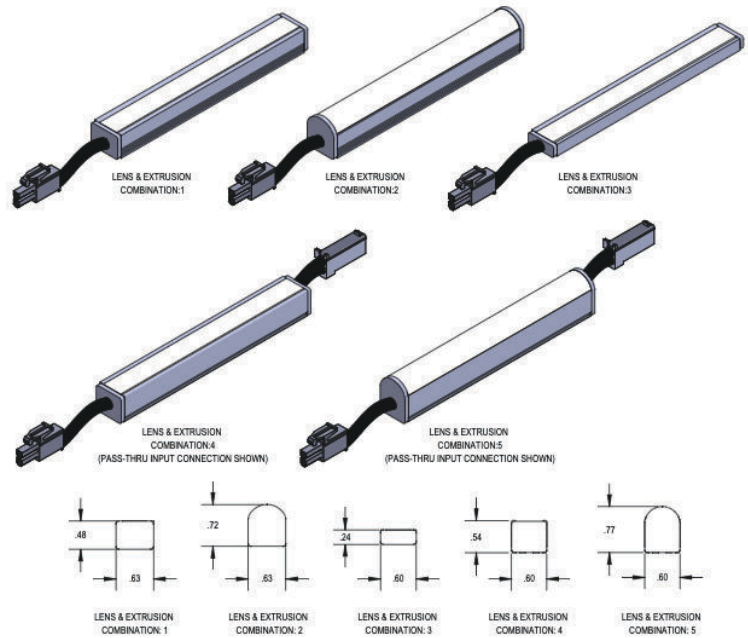


Speakers &amp; Amplifiers

# General Specifications

## Parts Ordering

DPI1245-XXX-XXX-XXX	
<b>Lengths</b>	2.0 - 72.0 Inches In 0.50" Increments E.G. -245 = 24.5"
<b>Colors</b>	A: Neutral White (4200K) B: Warm White (3000K) C: Cool White (6200K) D: Full Color RGBW (3000K) E: Full Color RGBW (4200K) F: Full Color RGBW (6200K) G: Full Color RGB H: Adjustable Color Temp White (2700K - 6000K)
<b>Lens &amp; Extrusion Combinations</b>	1: Frosted Lens + Reg. Base 2: Focused Lens + Reg. Base 3: Frosted Lens + Slim Base 4: Frosted Lens + Narrow Base 5: Focused Lens + Narrow Base
<b>Input Connections</b>	1: Stand Alone 2: Pass-Thru
<b>Special Options</b>	RESERVED



## Other DPI Lighting Products

- » LED Dome Lighting
- » LED Reading Lights
- » NVIS Cabin Lighting
- » PS2801-X-X LED Power Supply
- » SmartPack™ Core Control with PWM Dimming

## About DPI Lab's SmartLink™ Cabin Management System



SmartLink™ is the industry's most advanced architecture for integrated cabin management of aircraft cabin lighting, audio/visual components, entertainment systems, and comfort control.

Based on an RS-485 / C-Can data bus, Smartlink offers incomparable performance and flexibility for the particular requirements of private, business, commercial military and VVIP aircraft.

**DPI LABS**

Advanced Technologies Company

For Sales, Product Support, or Dealership inquiries, please call **909.392.5777** to speak with a **DPI Representative**.

» Visit us at [dpilabs.com](http://dpilabs.com)